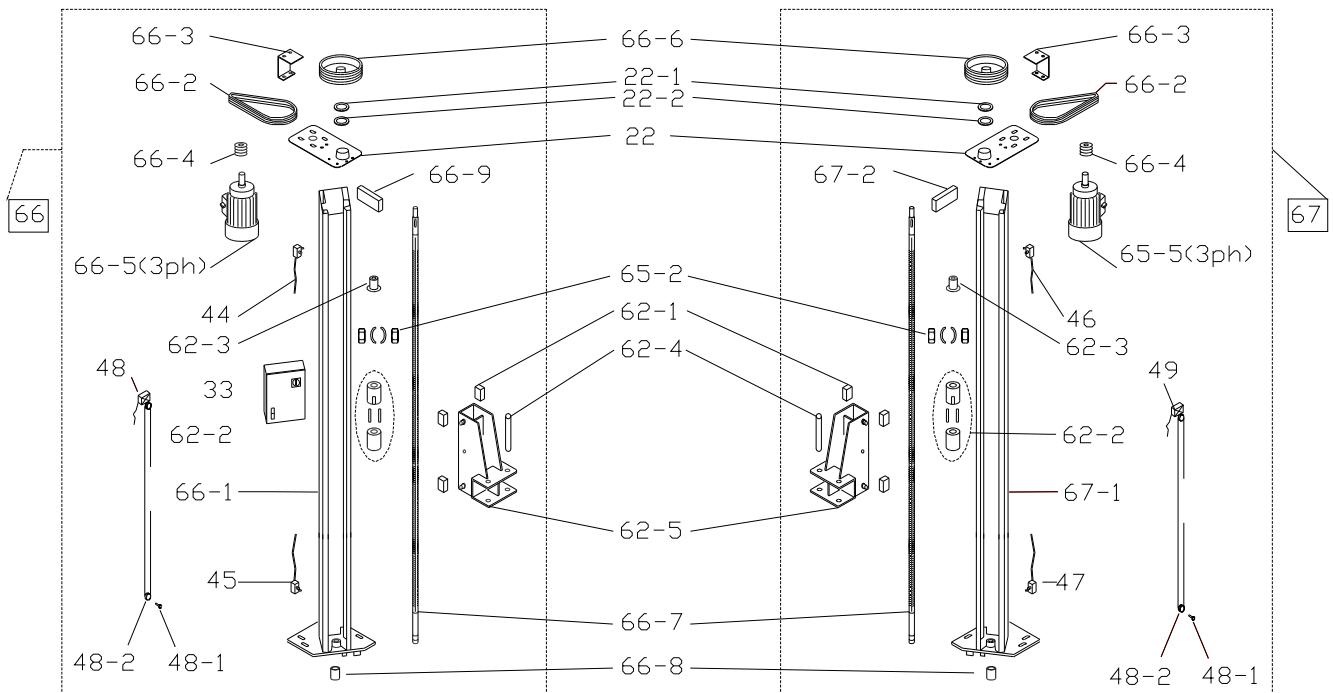
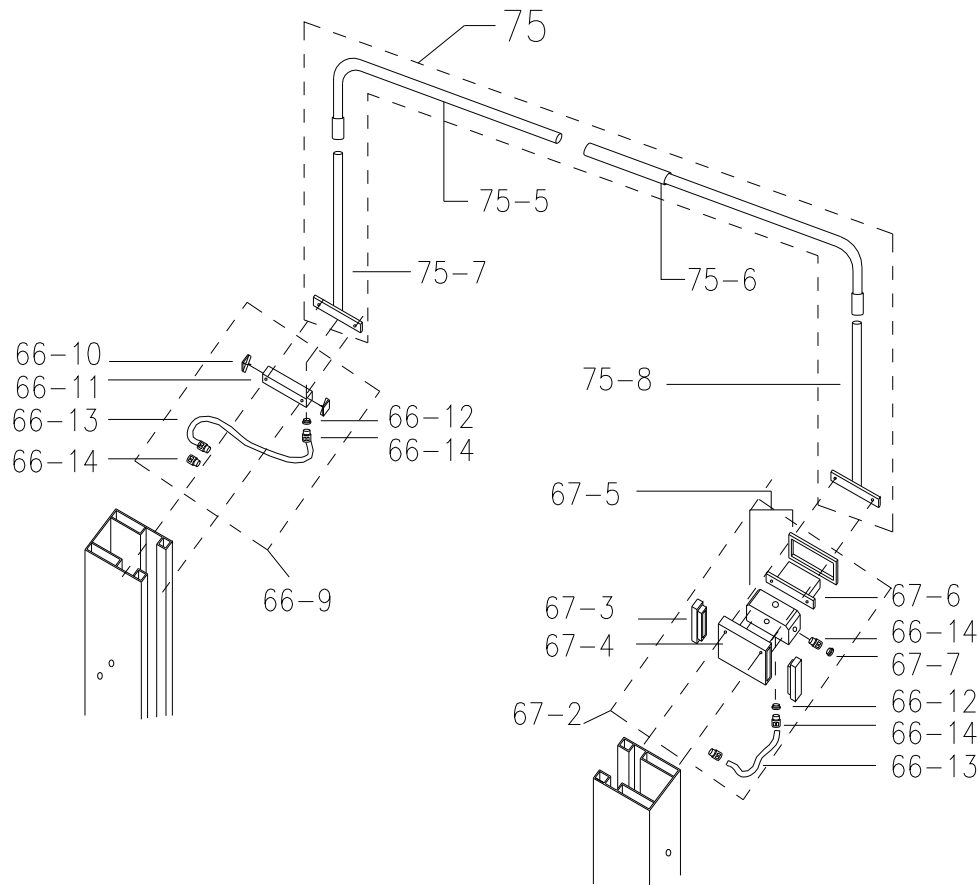


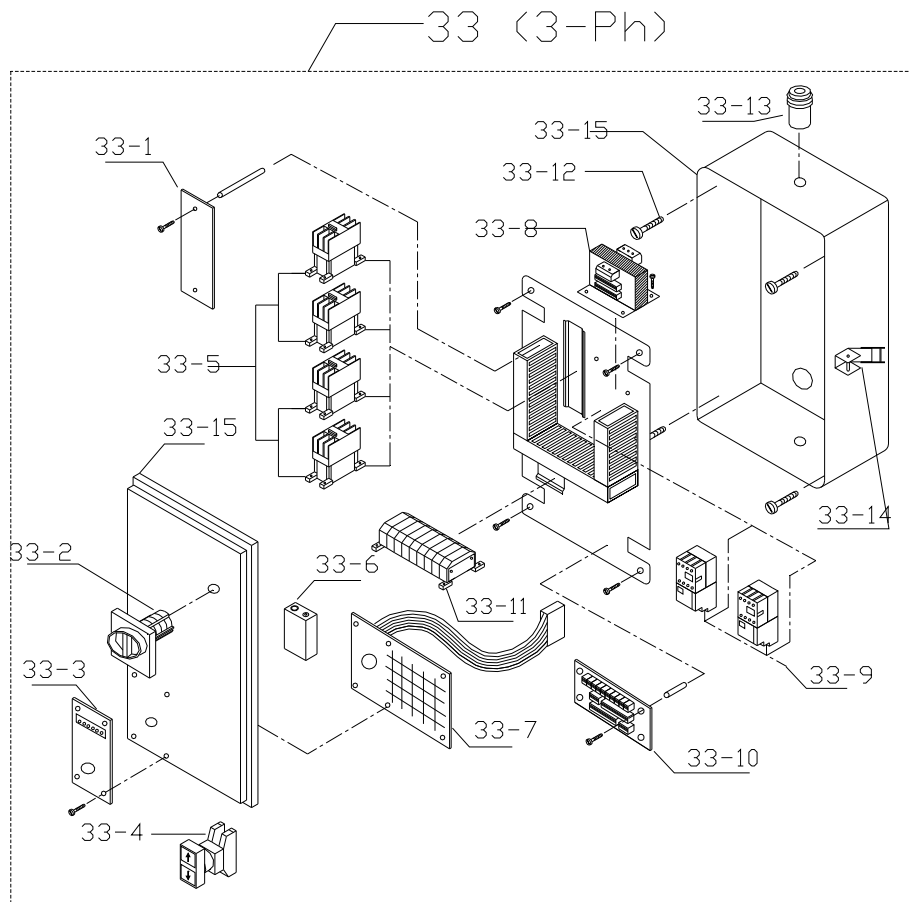
POS	OLD NUMBER ALT NUMMER OUD NUMMER	ORDER NUMBER BESTELLUNGSNUMMER BESTELNUMMER	DESCRIPTION	BESCHREIBUNG	OMSCHRIJVING
11	25240228	P/25240228	ARM LOCK DEVICE COMPLETE(3028)	ARMBLOCKIERSATZ KOMPLETT	ARMBLOKKEERSET COMPLEET
12	25240229	P/25240229	ARM LOCK DEVICE COMPLETE(2528)	ARMBLOCKIERSATZ KOMPLETT	ARMBLOKKEERSET COMPLEET
13	25240237	P/25240237	LONG DISK ASSEMBLY COMPLEET	SCHEIBENSYSTEEM KOMPLETT	OPNAMERUBBERSSET COMPLEET
13-1	25240240	RT3640073	RUBBERPAD	GUMMITRAGER	DRAAGRUBBER
16	3028/A	P/3028/A	FASTENING MATERIAL BOX	BEFESTIGUNGSMATERIAAL	BEVESTIGINGSMATERIAAL (DOOS)
20-1	25240250A/B	P/25240250	RIGHT LONG ARM 2-PARTS(2528)	LANGER TRAGER RECHTS 2-TEILIG(2528)	RECHTERARM LANG 2-DELIG (2528)
20-2	25240249A/B/C	P/25240249	RIGHT SHORT ARM 3-PARTS(2528)	KURZER TRAGER RECHTS 3-TEILIG(2528)	RECHTERARM KORT 3-DELIG (2528)
20-3	25240235A/B/C	P/25240235	LEFT SHORT ARM 3-PARTS(2528)	KURZER TRAGER LINKS 3-TEILIG(2528)	LINKERARM KORT 3-DELIG (2528)
20-4	25240236A/B	P/25240236	LEFT LONG ARM 2-PARTS(2528)	LANGER TRAGER LINKS 2-TEILIG(2528)	LINKERARM LANG 2-DELIG (2528)
21-1	30280217A/B	P/30280217	RIGHT LONG ARM 2-PARTS(3028)	LANGER TRAGER RECHTS 2-TEILIG(3028)	RECHTERARM LANG 2-DELIG (3028)
21-2	30280216A/B/C	P/30280216	RIGHT SHORT ARM 3-PARTS(3028)	KURZER TRAGER RECHTS 3-TEILIG(3028)	RECHTERARM KORT 3-DELIG (3028)
21-3	30280215A/B/C	P/30280215	LEFT SHORT ARM 3-PARTS(3028)	KURZER TRAGER LINKS 3-TEILIG(3028)	LINKERARM KORT 3-DELIG (3028)
21-4	30280218A/B	P/30280218	LEFT LONG ARM 2-PARTS(3028)	LANGER TRAGER LINKS 2-TEILIG(3028)	LINKERARM LANG 2-DELIG (3028)
66	30280109	P/30280109	ASSEMBLY CONTROL POST COMPLETE	BEDIENUNGSSAULE KOMPLETT	BEDIENINGSKOLOM COMPLEET
67	30280112	P/30280112	ASSEMBLY NON CONTROL POST COMPL.	NICHT BEDIENUNGSSAULE KOMPLETT	NIET BEDIENINGSKOLOMCOMPL.
75	-----	P/30280300	ELECTRICAL BRIDGE COMPLETE	DURCHFURROHR KOMPLETT	KABELDOORVOERPIJP KOMPLEET
75-1	25240135	CT3640025	COVER PROTECTION POST	ABDECKPLATTE SAULE	AFDEKPLAAT KOLOMMEN
75-2	25240223	CT3640042	LONG ARM FOOT GUARD	FUSSCHUTZ LANGER ARM	VOETBEVEILIGING LANGE ARM
75-3	25240234	CT3640043	SHORT ARM FOOT GUARD	FUSSCHUTZ KURZER ARM	VOETBEVEILIGING KORTE ARM
75-4	25240103	CT3640023	PULLEY CASING	ABDECKKAPPE	AFDEKKAP



POS	OLD NUMBER ALT NUMMER OUD NUMMER	ORDER NUMBER BESTELLINGSNUMMER BESTELNUMMER	DESCRIPTION	BESCHREIBUNG	OMSCHRIJVING
22	25240110	P/25240110	TOP PLATE COMPLETE	DECKELPLATTE MOTORSÄULE KOMPLET	TOPPLAAT MOTORKOLOM COMPLEET
22-1	25240109	TL6007-ZZ	BEARING	ROLLAGER	ROLLENLAGER
22-2	25240108	TL51107	BEARING	DRUCKLAGER	DRUKLAGER
33	30280408	P/30280408	ELECTRIC BOX 3-Ph	ELEKTR. SCHALKASTEN	ELEKTR. SCHAKELKAST
44	25240119	P/30280119	ASCENT LIMIT SWITCH	ENDSCHALTER	EINDSCHAKELAAR
45	30280107	P/30280107	DESCENT LIMIT SWITCH	ENDSCHALTER	EINDSCHAKELAAR
46	30280120	P/30280120	ASCENT LIMIT SWITCH	ENDSCHALTER	EINDSCHAKELAAR
47	30280113	P/30280113	DESCENT LIMIT SWITCH	ENDSCHALTER	EINDSCHAKELAAR
48	25240209	P/30280209	SAFETY MICRO SWITCH	SICHERHEITSSCHALTER	VEILIGHEIDSSCHAKELAAR
48-1	30280209	CT3640093	WIRE PULLEY PIN	STIFT KABELLAUFRAD	PEN KABELLOOPWIEL
48-2	30280210	CT3640079	CABLE PULLEY	KABELLAUFRAD	KABELLOOPWIEL
49	30280219	P/30280219	SAFETY MICRO SWITCH	SICHERHEITSSCHALTER	VEILIGHEIDSSCHAKELAAR
62-1	25240212	PT3640060	SLIDE SHOE	FUHRUNGSBLOCK	GELEIDEBLOK
62-2	25240215/7CE	P/25240215/7CE	BEARING SAFETY NUT COMPL.	LAGER SICHERHEITSMUTTER KOMPLET	DRAAG-VEILIGH.MOER COMPLEET
62-3	25240214	PT3640046	LEAD SCREW BUSH	FUHRUNGSBUCHSE	GELEIDEBUS
62-4	25240219	RT3640047	CARRIAGE BUMPER	TÜRSCHUTZ	DEURBESCHERMER
62	30280204	CT3640082	MOTORPOST CARRIAGE	HEBET. MOTORSCHAULE	HEFTAFEL MOTORKOLOM
62-1	30280214	CT3640082	FREE POST CARRIAGE	HEBETISCH SERVICESÄULE	HEFTAFEL SERVICEKOLOM
65-2	25240215/MOD	P/25240215MOD	MOD. SET SAFETY NUT	MOD.SET SICHERHEITSMUTTER	MODIFICATIE SET DRAAGMOER
66	30280109	P/3028109	MOTOR POST COMPLETE	MOTORSÄULE KOMPLETT	MOTORKOLOM COMPLEET
66-1	30280108	CT3640089	MOTOR POST	MOTORSÄULE	MOTORKOLOM
66-2	25240206	V-RIEM-A43	V-BELT A43	KEILRIEMEN	V-RIEM
66-3	25240104	CT3640032	PULLEY COVER SUPPORT	STUTZE FÜR ABDECKKAPPE	STEUN AFDEKKAP
66-4	25240111	CT3640040	MOTOR PULLEY	MOTORRIEMENSCHIBE	MOTOR POELIE
66-5	30280105	P/25240112	MOTOR 2,6 KW 3-Ph	MOTOR 2,6 KW 3-Ph	MOTOR 2,6 KW 3-Ph
66-6	25240207	PT3640041	PULLEY	RIEMENSCHIBE	POELIE
66-7	30280208	CT3640084	BEARING SCREW	SPINDEL	SPINDEL
66-8	25240126	PT3640053	SCREW GUIDE BUSH	FUHRUNGSBUCHSE NYLON	NYLON GELEIDE BUS
66-9	.....	.....	JUNCTION COMPLETE NCP	ANSCHLUß DOSE KOMPLETT NCP	AANSLUITBLOK KOMPLEET CP
67	30280110	P/30280112	FREE POST COMPLETE	NICHT-BEDIENUNGSSÄULE KOMPL.	NIET-BEDIENINGS KOLOM KOMPLEET
67-1	30280112	CT3640090	FREE POST	NICHT-BEDIENUNGSSÄULE	NIET-BEDIENINGS KOLOM
67-2	.....	.....	JUNCTION COMPLETE CP	ANSCHLUß DOSE KOMPLETT CP	AANSLUITBLOK KOMPLEET NCP



POS	OLD NUMBER ALT NUMMER OUD NUMMER	ORDER NUMBER BESTELLUNGSNUMMER BESTELNUMMER	DESCRIPTION	BESCHREIBUNG	OMSCHRIJVING
66-9	-----	-----	JUNCTION COMPLETE NCP	ANSCHLUß DOSE KOMPLETT NCP	AANSLUITBLOK KOMPLEET NCP
66-10	30280305	FP50X50X3	SPACER	DISTANZRING	AFSTANDSRING
66-11	30280306	CT3640031	SUPPORT PIPE	STÜTZE	STEUN
66-12	30280307	P/30280316/S	BUSH	DURCHFÜRHÜLSE	DOORVOERTULE
66-13	30280308	P/30280316/W	SHEATH	VERBINDUNGSSCHLAUCH	VERBINDINGSSLANG
67-2	-----	-----	JUNCTION COMPLETE CP	ANSCHLUß DOSE KOMPLETT CP	AANSLUITBLOK KOMPLEET CP
67-3	30280309	PT3640055	RUBBER PLUG	DICHTUNGSGUMMI	AFDICHTRUBBER
67-4	30280310	CT3640054	SUPPORT PIPE	STÜTZE	STEUN
67-5	30280311	EJB3028	JUNCTION BOX	ANSCHLUßDOSE	AANSLUITDOOS
67-6	30280312	30280312	JUNCTION TERMINAL BLOCK	ANSLUßBLOCK	AANSLUITBLOK
67-7	30280315	30280315	NYLON WASHER	NYLONRING	NYLON DOORVOER
75	-----	P/30280300	ELECTRICAL BRIDGE COMPLETE	DURCHFÜRROHR KOMPLETT	KABELDOORVOERPIJP KOMPLEET
75-5	30280301	CT3640058	SHORT CURREND PIPE DUCT	KURZES GEBOGENES ROHR	KORTE GEBOGEN PIJP
75-6	30280302	CT3640059	LONG CURREND PIPE DUCT	LANGES GEBOGENES ROHR	LANGE GEBOGEN PIJP
75-7	30280303/L	CT3640057/L	STRAIGHT PIPE DUCT (LEFT)	GERADES ROHR (LINKS)	RECHTE PIJP (LINKS)
75-8	30280303/R	CT3640057/R	STRAIGHT PIPE DUCT (RIGHT)	GERADES ROHR (RECHTS)	RECHTE PIJP (RECHTS)



POS	OLD NUMBER ALT NUMMER OUD NUMMER	ORDER NUMBER BESTELLINGSNUMMER BESTELNUMMER	DESCRIPTION	BESCHREIBUNG	OMSCHRIJVING
33	30280408	P/30280408	ELECTR.BOX CPL	SCHALTKASTEN KOMPL	BEDIENINGSKAST CPL
33-1	30280401	CT3640129	CONTACTORS GUARD	SCHTZPLATTE	BESCHERMPLAAT
33-2	30280402	ELE2-16-1753	MAIN SWITCH	HAUPTSCHALTER	HOOFDSCHAKELAAR
33-3	30280403	CT3640130	SYNCHROLIFT PANEL	TAFEL SYNCHR	PANEEL SYNCHR
33-4	30280404	EDM800E	DOUBLE PUSH BUTTONS	TASTER	DRUKKNOPPEN
33-5	30280405	ECO9KJ01-24VAC	CONTACTOR	MAGNETSCHALTER	MAGNEETSCHAKELAAR
33-6	30280406	EBNICADRX229	9 V BATTERY	9.V.BATTERIE	9.V.BATTERIJ
33-7	30280407	EPCB 66	ELECTRONIC BOARD EK66	PLATINE EK66	PRINTPLAAT EK66
33-8	30280409	EF30VA	TRANSFORMER	TRANSFORMATOR	TRANSFORMATOR
33-9	30280411	ECT3K-12-9	THERMAL RELAY	THERMISCHE SICHERUNG	THERMISCHE BEVEILIGING
33-10	30280412	EPCB67	ELECTRONIC BOARD EK67	PLATINE EK67	CIRCUIT IMPRIMÉ EK67
33-11	30280410	3 PH. TERMINAL BLOCK	3 PH. TERMINAL BLOCK	ANSLUUBLOCK	AANSLUITBLOK
33-12	25240114	FSD84M6X10	SCREW	BOLZEN	BOUT
33-13	25240311	FPPG 16	CABLE CLAMP	KABELKLEMME FPPG 16	KABEL TULE FPPG 16
33-14	25240312	25240312	LOCKING HOOK	SPERRE	SLUITING
33-15	25240401	KE260X380X150	ELECTR.BOX EMPTY	SCHALTKASTEN (LEER)	ELEKTR.KAST (LEEG)

<p>11 P/25240228</p> <p>FSD912M8X40 CT3640069 CTS3640051 FND934M8 FRD9021M8 CT3640074 CT3640075 CTS3640052 CT3640070 CT3640067</p>	<p>12 P/25240229</p> <p>FSD912M8X40 CT3640069 CTS3640051 FND934M8 FRD9021M8 CT3640074 CT3640075 CTS3640052 CT3640080 CT3640067</p>	<p>44 P/30280119</p> <p>CT3640120 EE100.00.E1 FRD125M4 FSD912M4X30 W/30280119</p>	<p>47 P/30280113</p> <p>CT3640120 EE100.00.E1 FSD912M4X30 FRD125M4 W/30280113</p>																																																					
<p>13 P/25240237</p> <p>FSD7991M10x25 FRD125M18 RT3640073 CT3640072 FRD471M40 CT3640071 FRD471M40 CTS3640117</p>	<p>22 P/25240110</p> <p>FRD472M60 TL51107 CT3460028 TL6007-ZZ CT3640044 FGD71412M6X180</p>	<p>45 P/30280107</p> <p>CT3640120 EE100.00.E1 FRD125M4 FSD912M4X30 W/30280107</p>	<p>48 P/30280209</p> <p>EE-PL941 FSD914M8X10 CT3640079 CT3640093 25240209/C EPL941 W/30280209/A W/30280209/B Protection tube</p>																																																					
<p>16 P/3028/A</p> <table border="1"> <thead> <tr> <th>Item nr.</th> <th>Item name</th> <th>Quantity</th> </tr> </thead> <tbody> <tr><td>FB4017M10X12</td><td>hex socket bolt M10x12</td><td>8</td></tr> <tr><td>FB4017M6X10</td><td>hex socket bolt M6x10</td><td>4</td></tr> <tr><td>FB4017M8X12</td><td>hex socket bolt M8x12</td><td>4</td></tr> <tr><td>FB4017M8X40</td><td>hex socket bolt M8x40</td><td>4</td></tr> <tr><td>FND934M14</td><td>nut M14</td><td>8</td></tr> <tr><td>FND934M6</td><td>nut M6</td><td>8</td></tr> <tr><td>FND934M8</td><td>nut M8</td><td>4</td></tr> <tr><td>FRD125M10</td><td>washer M10</td><td>8</td></tr> <tr><td>FRD125M6</td><td>washer M6</td><td>4</td></tr> <tr><td>FRD125M8</td><td>washer M8</td><td>10</td></tr> <tr><td>FRD471M40</td><td>retaining ring M40</td><td>4</td></tr> <tr><td>FRD6797M8</td><td>lock washer</td><td>4</td></tr> <tr><td>FRD9021M6</td><td>washer M6</td><td>4</td></tr> <tr><td>FRD9021M8</td><td>washer M8</td><td>4</td></tr> <tr><td>FS4027M6X20</td><td>set screw M6x20</td><td>3</td></tr> <tr><td>FS4028M14X40</td><td>set screw M14x40</td><td>8</td></tr> <tr><td>V/PZ-220/380</td><td>plastic bag 220x380</td><td>1</td></tr> </tbody> </table>	Item nr.	Item name	Quantity	FB4017M10X12	hex socket bolt M10x12	8	FB4017M6X10	hex socket bolt M6x10	4	FB4017M8X12	hex socket bolt M8x12	4	FB4017M8X40	hex socket bolt M8x40	4	FND934M14	nut M14	8	FND934M6	nut M6	8	FND934M8	nut M8	4	FRD125M10	washer M10	8	FRD125M6	washer M6	4	FRD125M8	washer M8	10	FRD471M40	retaining ring M40	4	FRD6797M8	lock washer	4	FRD9021M6	washer M6	4	FRD9021M8	washer M8	4	FS4027M6X20	set screw M6x20	3	FS4028M14X40	set screw M14x40	8	V/PZ-220/380	plastic bag 220x380	1	<p>46 P/30280120</p> <p>CT3640120 EE100.00.E1 FRD125M4 FSD912M4X30 W/30280120</p>	<p>49 P/30280219</p> <p>EE-PL941 FSD914M8X10 CT3640079 CT3640093 25240209/C EPL941 W/30280219 WIRE 40MM</p>
Item nr.	Item name	Quantity																																																						
FB4017M10X12	hex socket bolt M10x12	8																																																						
FB4017M6X10	hex socket bolt M6x10	4																																																						
FB4017M8X12	hex socket bolt M8x12	4																																																						
FB4017M8X40	hex socket bolt M8x40	4																																																						
FND934M14	nut M14	8																																																						
FND934M6	nut M6	8																																																						
FND934M8	nut M8	4																																																						
FRD125M10	washer M10	8																																																						
FRD125M6	washer M6	4																																																						
FRD125M8	washer M8	10																																																						
FRD471M40	retaining ring M40	4																																																						
FRD6797M8	lock washer	4																																																						
FRD9021M6	washer M6	4																																																						
FRD9021M8	washer M8	4																																																						
FS4027M6X20	set screw M6x20	3																																																						
FS4028M14X40	set screw M14x40	8																																																						
V/PZ-220/380	plastic bag 220x380	1																																																						