

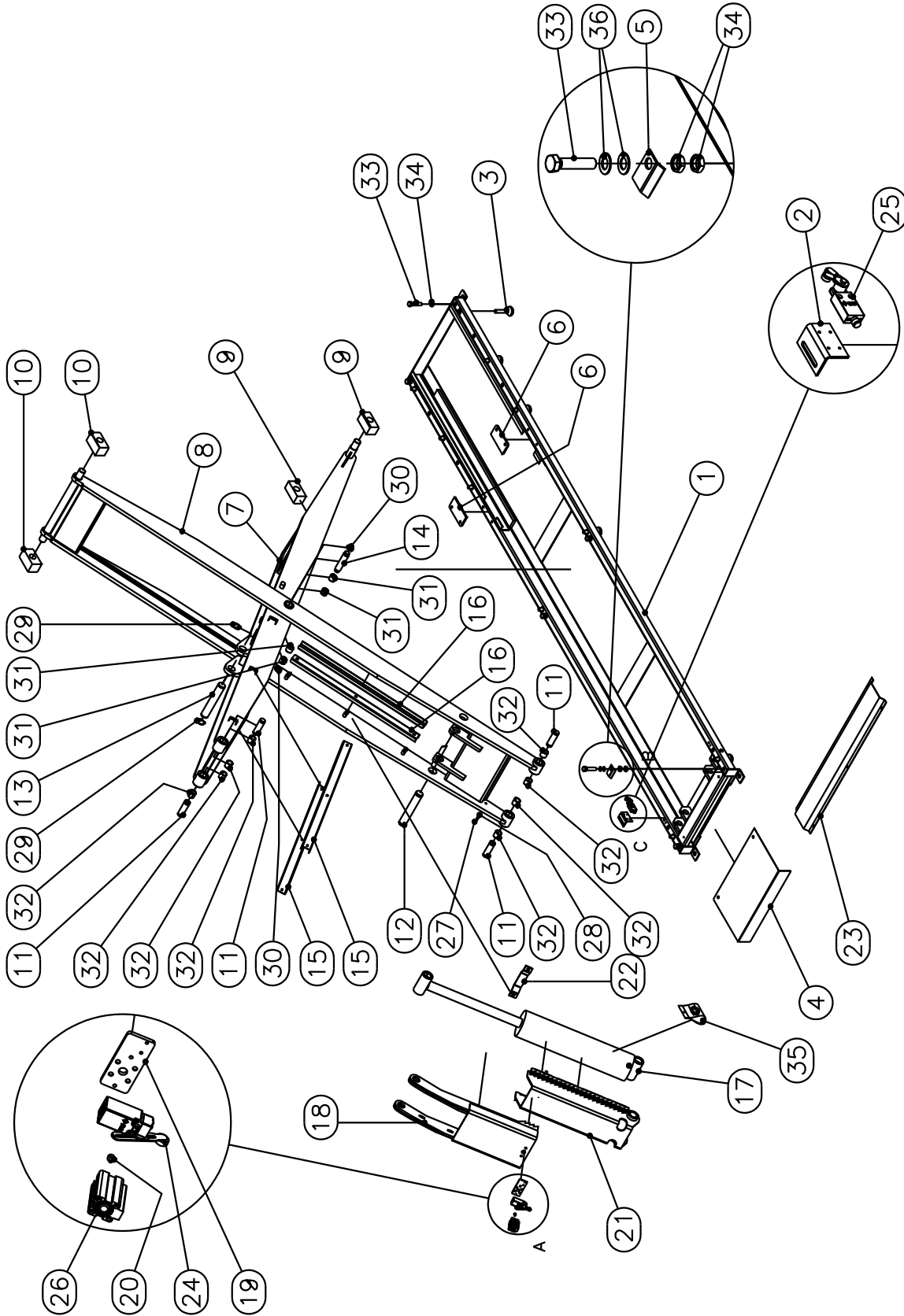
BASE E LEVE P1

P1 BASE AND LEVERS

BASE UND HEBEL P1

BASE ET LEVIERS P1

BASE Y PALANCAS P1



1	B8352XX
2	B3007
3	B8433
4	B8367
5	B8414
6	B8513
7	B8354XX
8	B8355XX
9	B8356
10	B8357
11	B8381
12	B8382
13	B8383
14	B8384
15	B8507
16	B8508
17	B8434XX
18	B8362XX
19	B3004
20	B3005
21	B8363XX
22	B8404
23	B8368XX
24	D0419
25	B7259
26	B5827
27	C0185
28	R0158
29	B0053
30	B3108
31	B7242
32	B3106
33	B7387
34	B0092
35	D0382
36	B3270

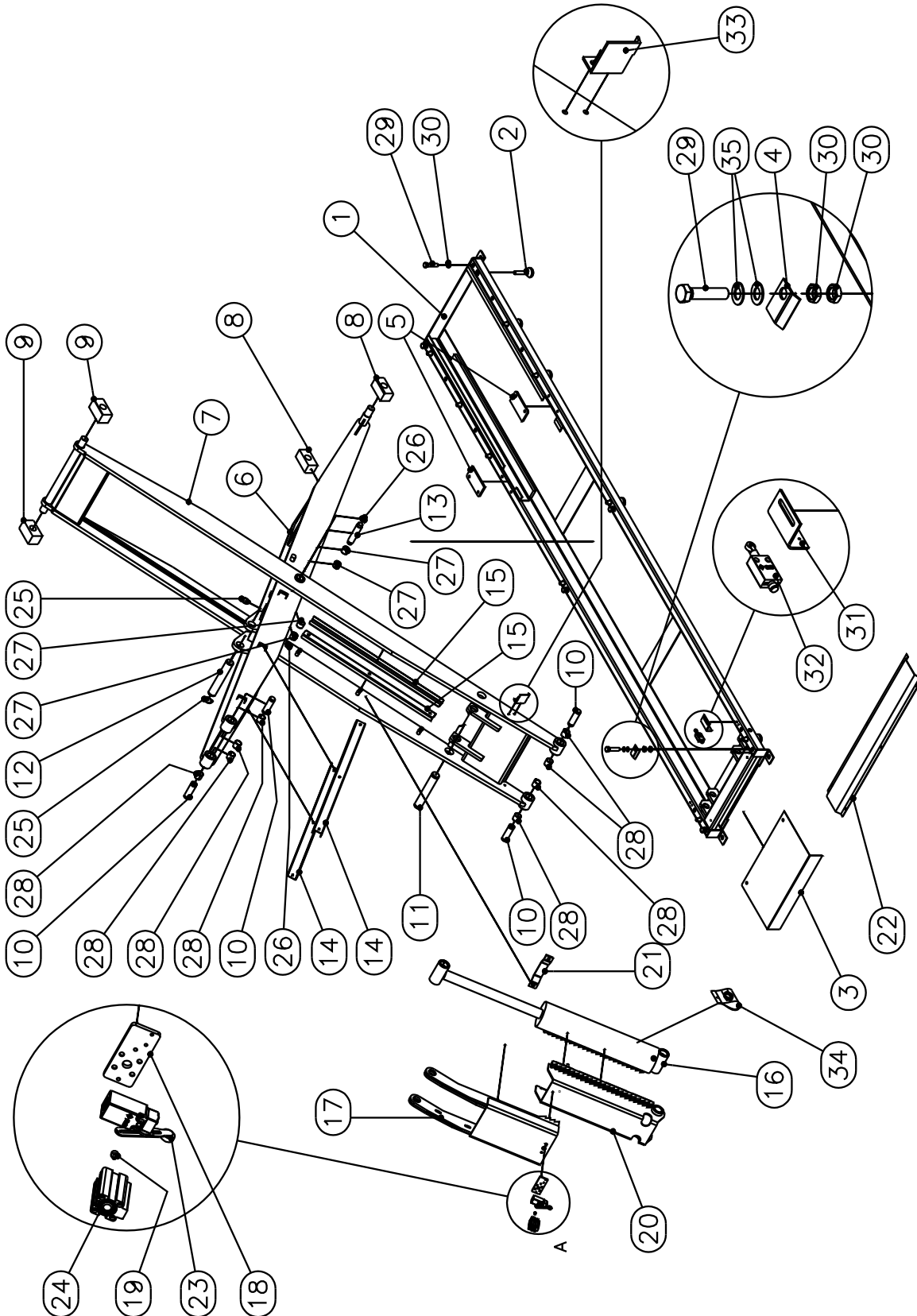
BASE E LEVE P2

P2 BASE AND LEVERS

BASE UND HEBEL P2

BASE ET LEVIERS P2

BASE Y PALANCAS P2



1	B8352XX
2	B8433
3	B8367
4	B8414
5	B8513
6	B8354XX
7	B8355XX
8	B8356
9	B8357
10	B8381
11	B8382
12	B8383
13	B8384
14	B8507
15	B8508
16	B8435XX
17	B8362XX
18	B3004
19	B3005
20	B8431XX
21	B8404
22	B8368XX
23	D0419
24	B5827
25	B0053
26	B3108
27	B7242
28	B3106
29	B7387
30	B0092
31	B3007
32	B7258
33	B8838
34	D0383
35	B3270

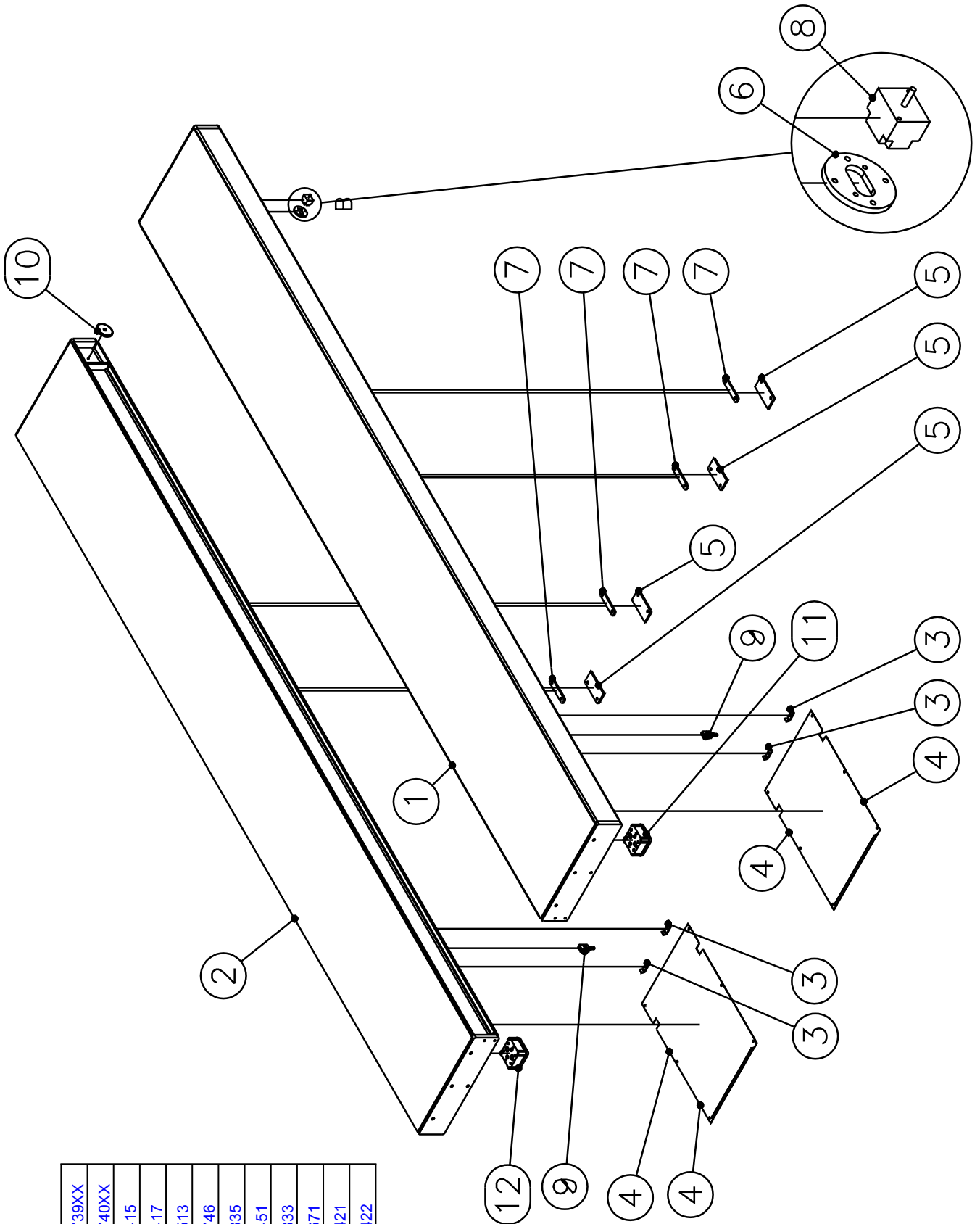
PEDANE MOD. N

PLATFORMS MOD. N

PLATTFORMEN MOD. N

PLATES-FORMES MOD. N

PLATAFORMAS MOD. N

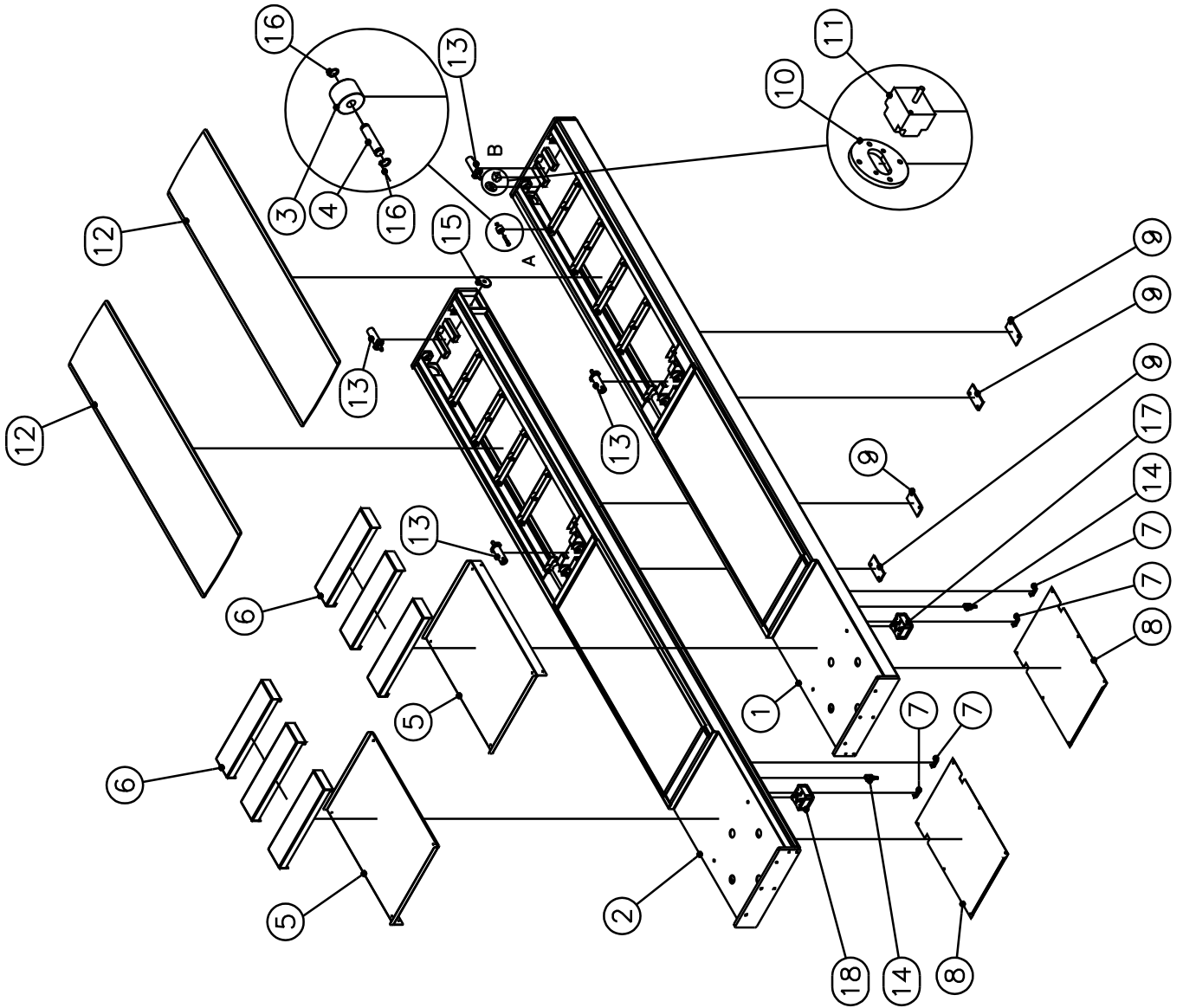


1	B8739XX
2	B8740XX
3	B8415
4	B8417
5	B8513
6	B8746
7	B8835
8	B4451
9	B1833
10	B6671
11	D0421
12	D0422

PEDANE MOD. AT

PLATFORMS MOD. AT
 PLATES-FORMES MOD. AT

PLATTFORMEN MOD. AT
 PLATAFORMAS MOD. AT



1	B8741XX
2	B8742XX
3	B8360
4	B8361
5	B8402
6	B8366
7	B8415
8	B8417
9	B8513
10	B8746
11	B4451
12	B8369
13	B8432
14	B1833
15	B6671
16	A0128
17	D0421
18	D0422

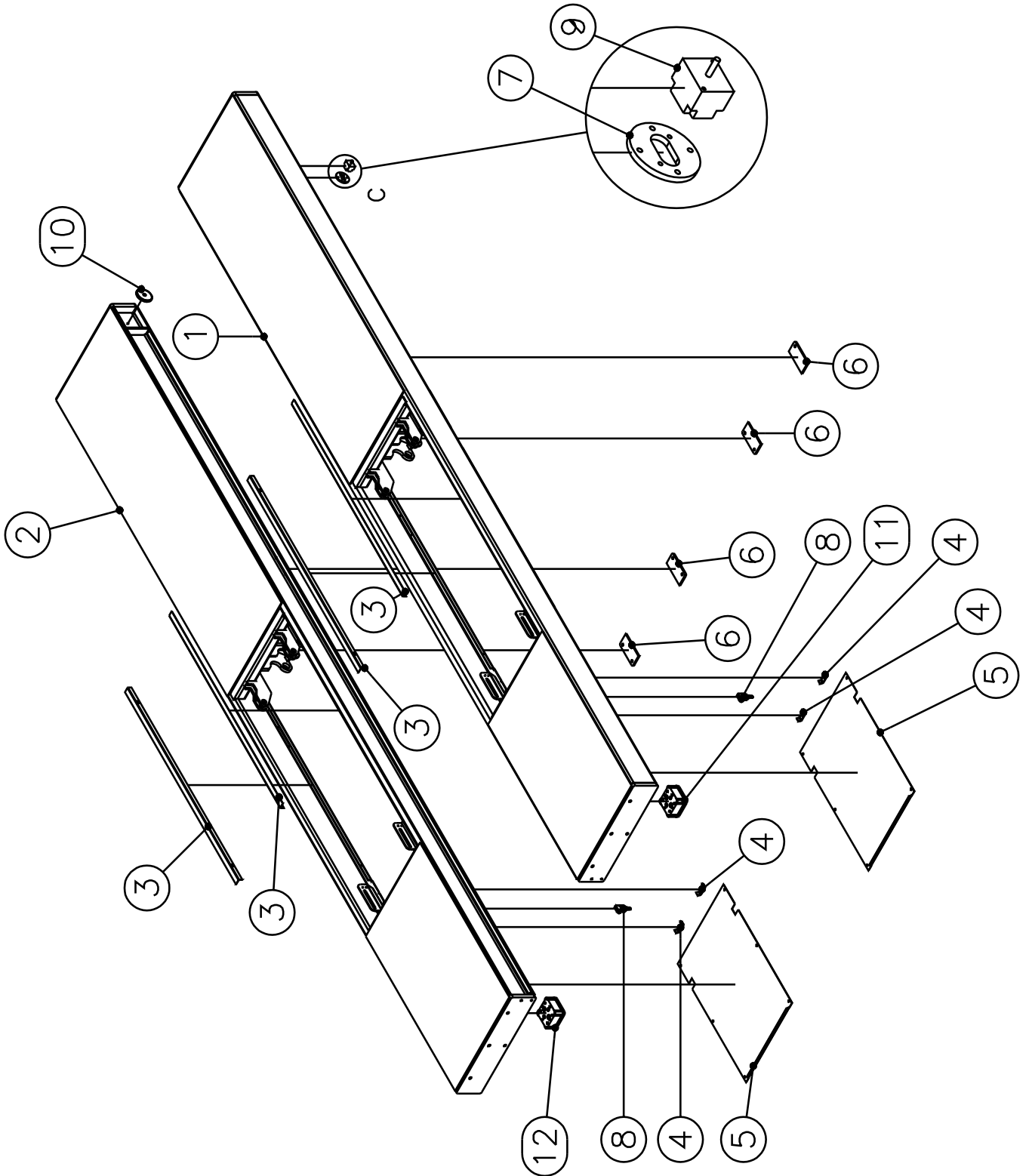
PEDANE MOD. LT

PLATFORMS MOD. LT

PLATTFORMEN MOD. LT

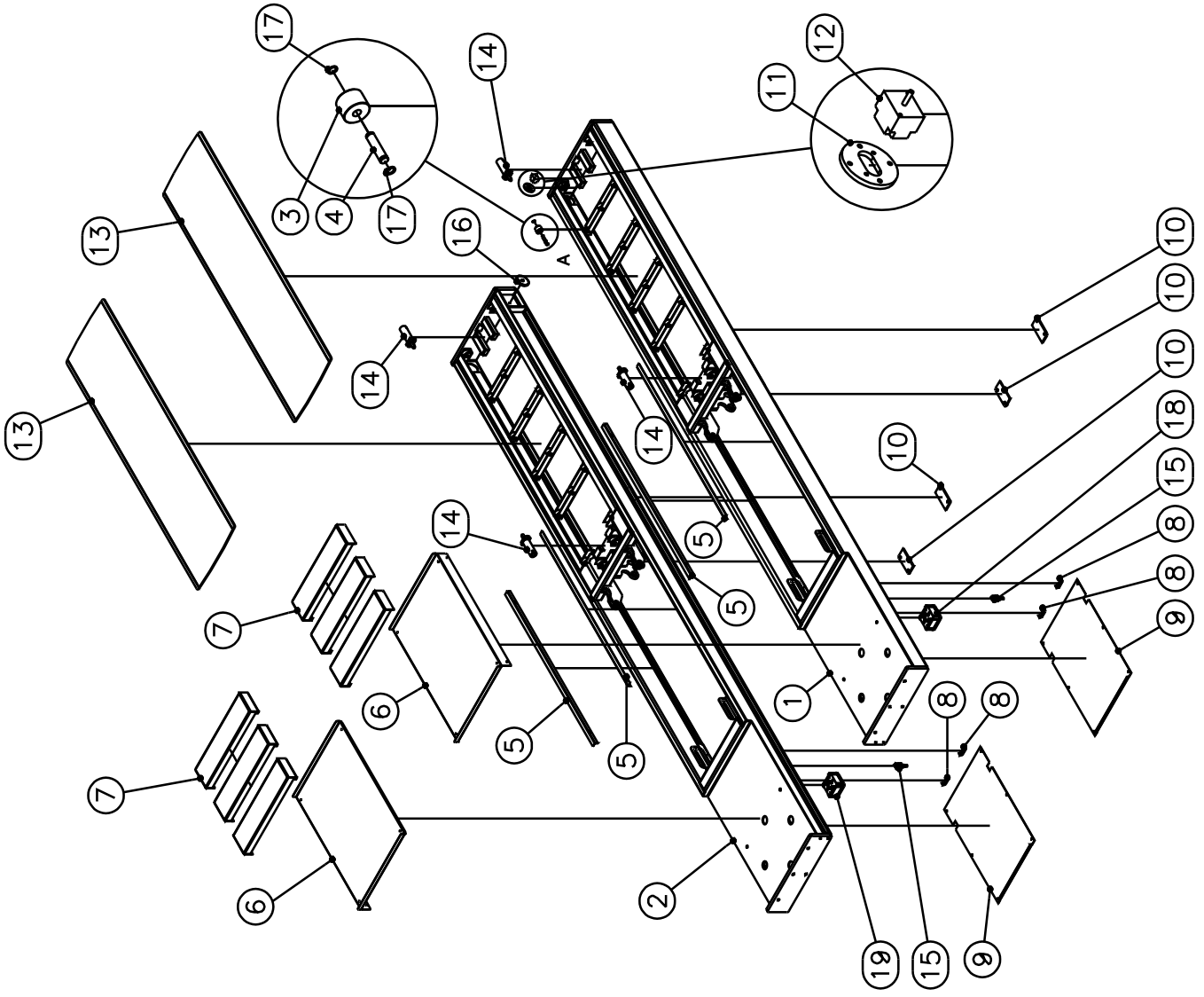
PLATES-FORMES MOD. LT

PLATAFORMAS MOD. LT



1	B8743XX
2	B8744XX
3	B3006
4	B8415
5	B8417
6	B8513
7	B8746
8	B1833
9	B4451
10	B6671
11	D0421
12	D0422

PEDANE MOD. ATLT	
PLATFORMS MOD. ATLT	PLATTFORMEN MOD. ATLT
PLATES-FORMES MOD. ATLT	PLATAFORMAS MOD. ATLT



1	B8353XX
2	B8430XX
3	B8360
4	B8361
5	B3006
6	B8402
7	B8366
8	B8415
9	B8417
10	B8513
11	B8746
12	B4451
13	B8369
14	B8432
15	B1833
16	B6671
17	A0128
18	D0421
19	D0422

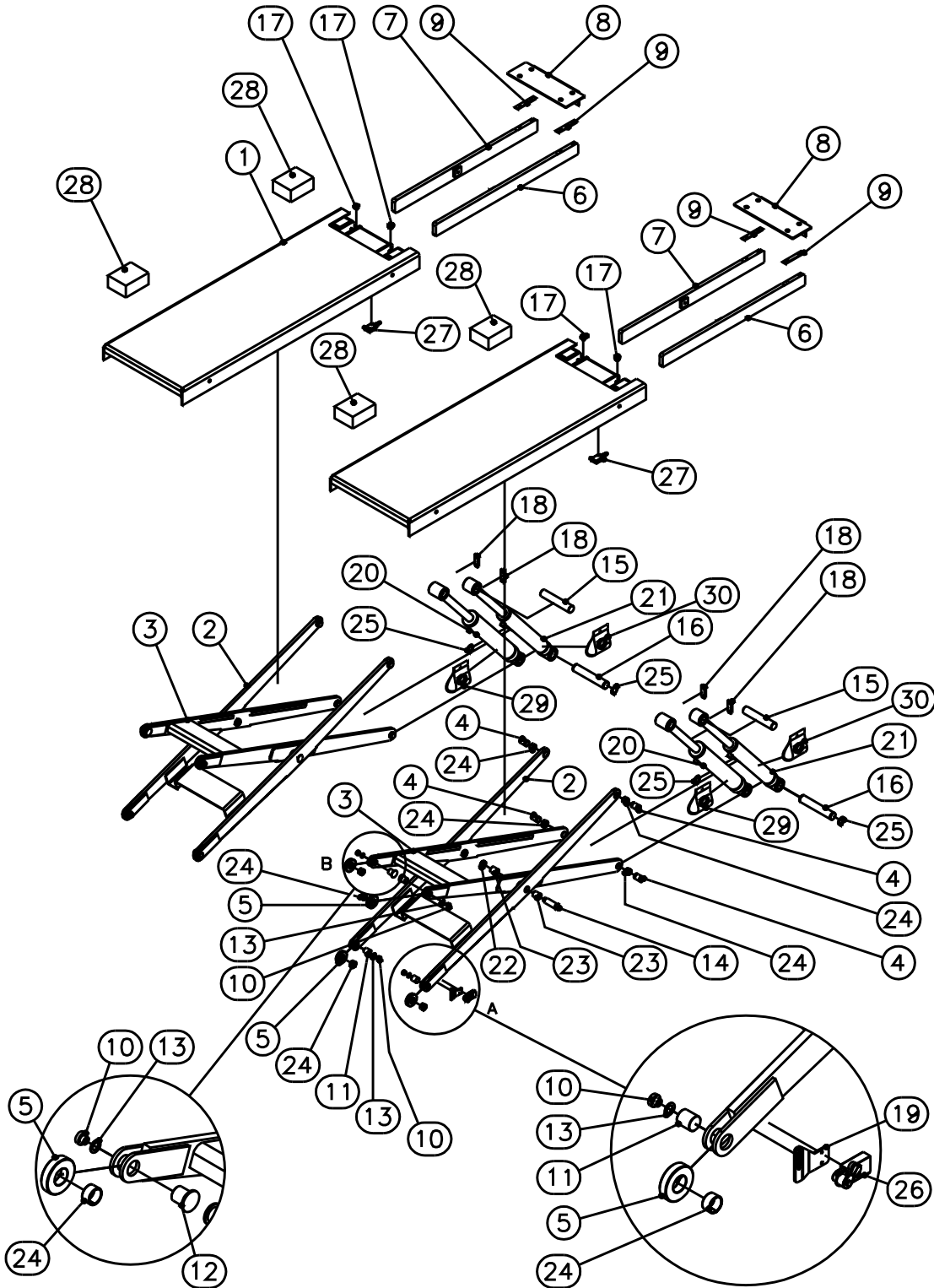
TORRETTE

LIFT TABLES

RADFREIHEBER

LEVAGES AUXILIAIRE

ELEVADORES AUXILIARES



1	B8380XX
2	B8370XX
3	B8371XX
4	B8399
5	B8372
6	B8375XX
7	B8376XX
8	B8378XX
9	B8377
10	B8373
11	B8397
12	B8396
13	B8374
14	B8398
15	B8400
16	B8401
17	B8600
18	B8601
19	B8745
20	B8436XX
21	B8437XX
22	B4835
23	S3525
24	S3524
25	B0240
26	B6661
27	B1833
28	V926
29	D0384
30	D0385

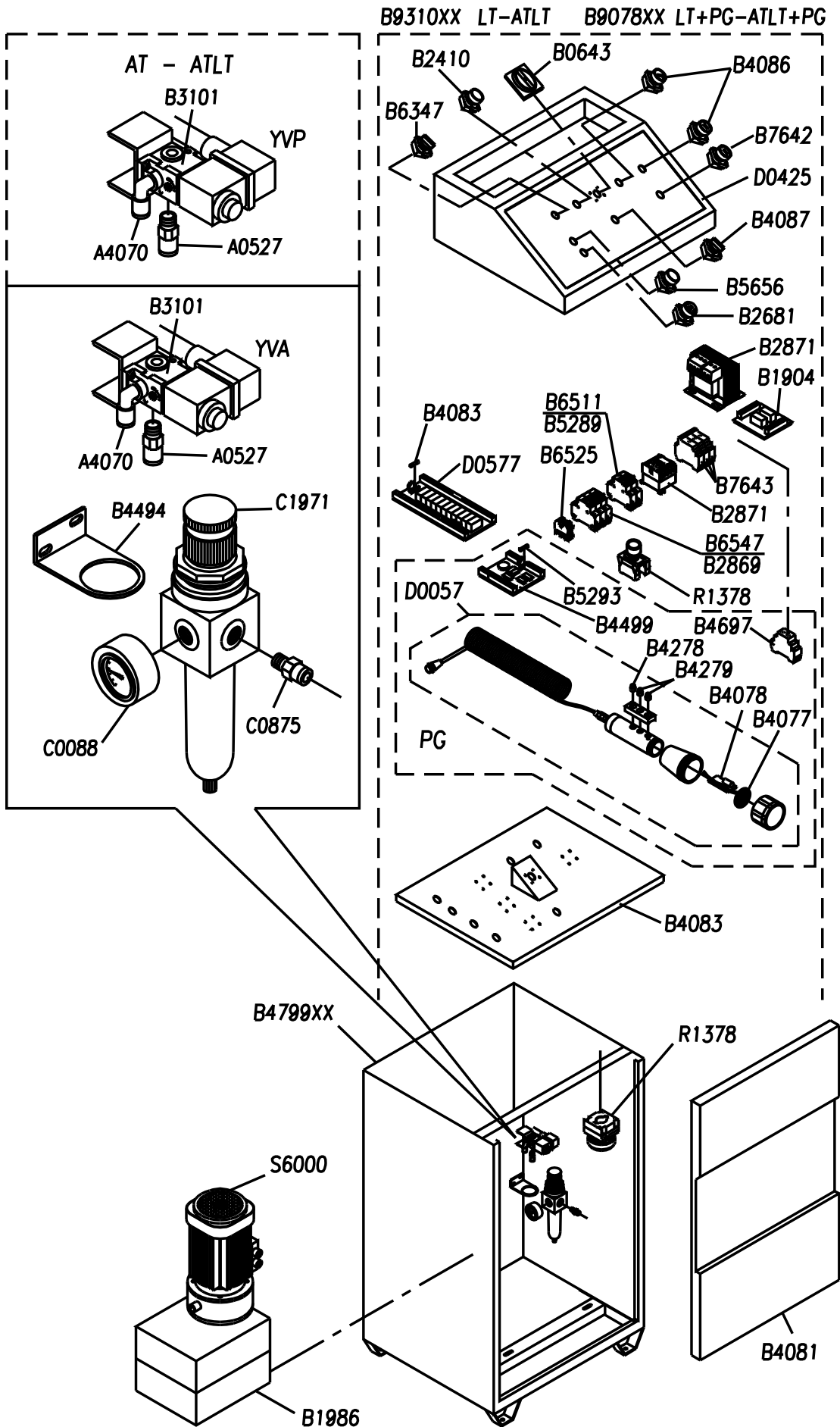
QUADRO DI COMANDO

CONTROL BOX

STEUERTAFEL

TABLEAU DE COMMANDE

PANEL DE MANDO



CENTRALINA OLEODINAMICA

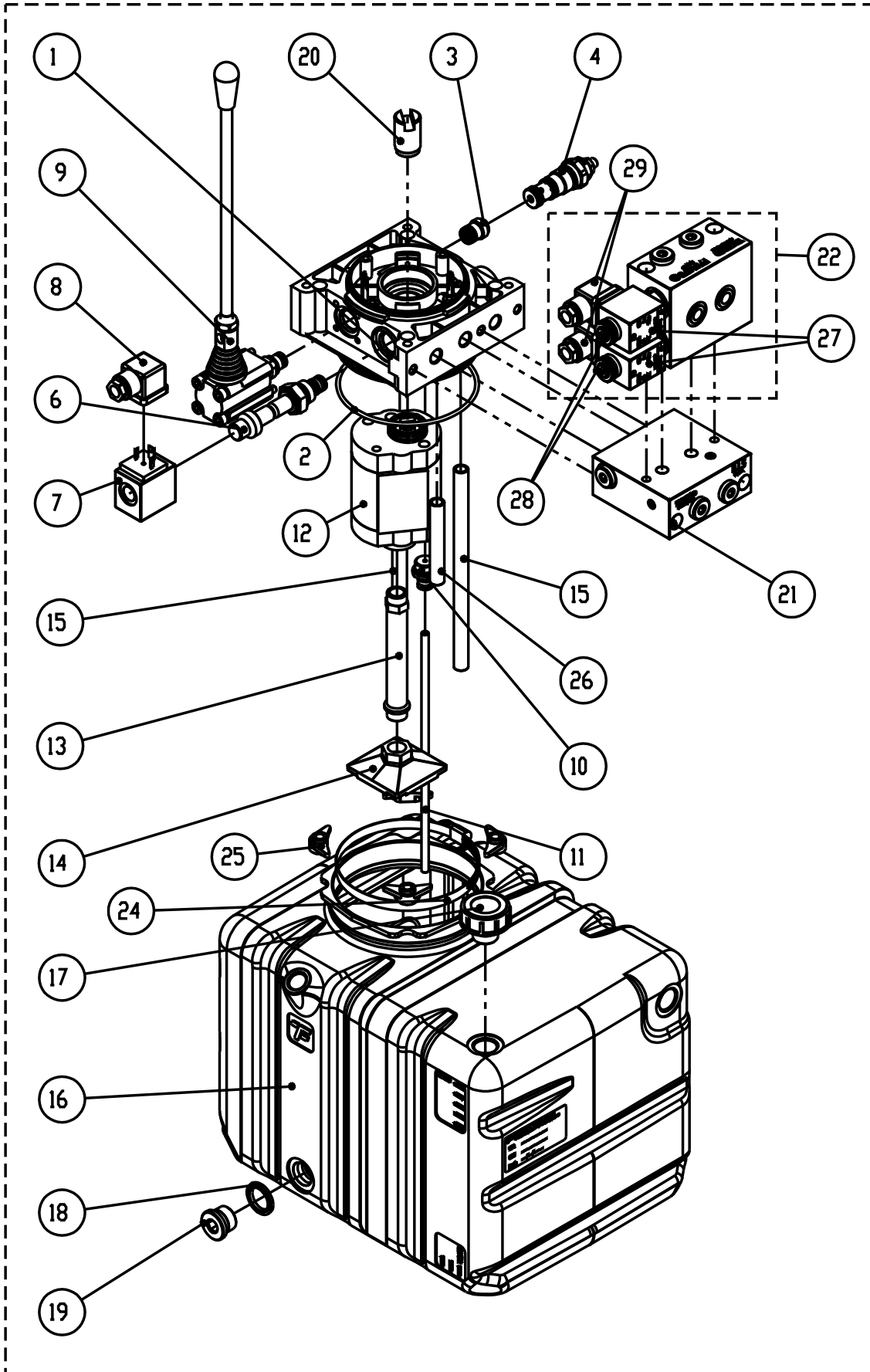
OLEODYNAMIC CONTROL UNIT

HYDRAULIKEINHEIT

CENTRALE HYDRAULIQUE

CENTRALITA HIDRAULICA

B1986



1	B5194
2	B1597
3	B1595
4	R1777
6	B8068
7	B7784
8	R1779
9	D0429
10	D0430
11	D0431
12	D0432
13	D0433
14	B8067
15	B1604
16	D0434
17	D0236
18	D0435
19	D0436
20	D0237
21	B1518
22	B1987
24	R1788
25	R1787
26	D0437
27	B7784
28	D0440
29	R1779

BLOCCO IDRAULICO TORRETTE

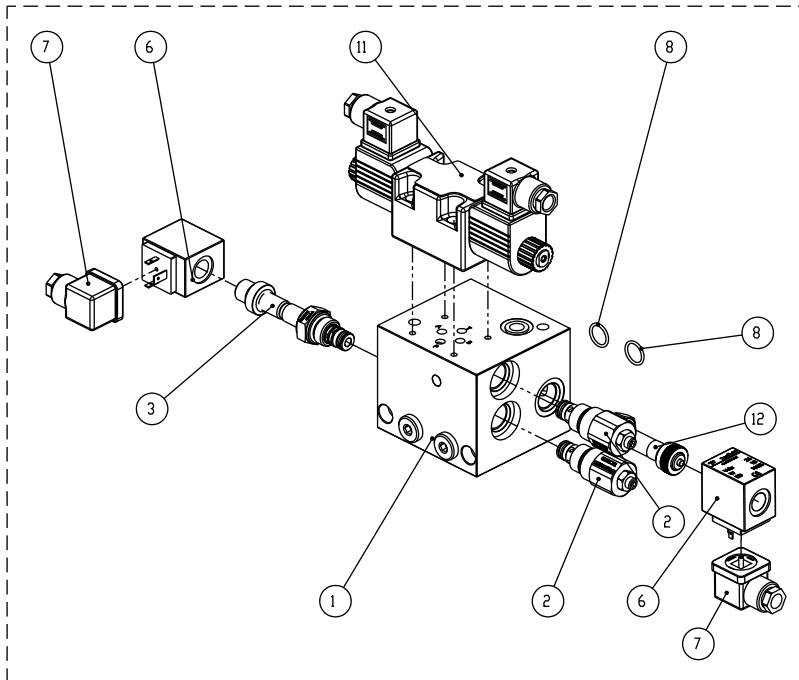
LIFT TABLES OLEODYNAMIC BLOCK

HYDRAULIKBLOCK RADFREIHEBER

BLOC HYDRAULIQUE LEVAGES AUXILIAIRE

BLOQUE HIDRAULICO ELEVADORES AUX.

B1988



1	D0441
2	D0442
3	B8068
6	B7784
7	R1779
8	D0443
11	D0444
12	D0440

BLOCCO IDRAULICO PROVAGIOCHI

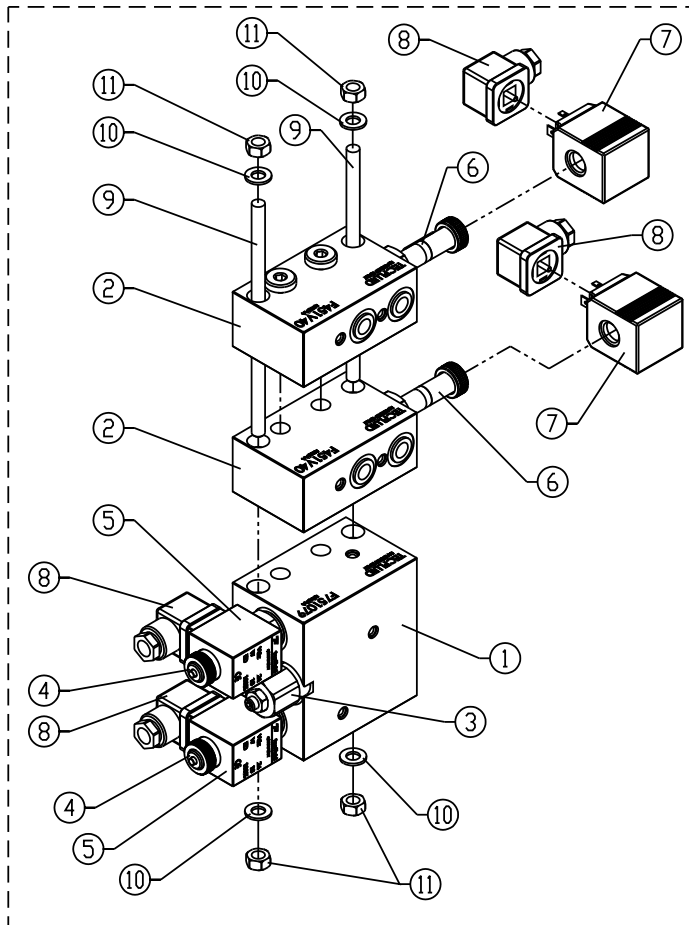
PLAY DETECTOR OLEODYNAMIC BLOCK

HYDRAULIKBLOCK GELENKSPIELTESTER

BLOC HYDRAULIQUE PLAQUE A JEUX

BLOQUE HIDRAULICO ELEVADORES AUX.

B1989



1	D0445
2	D0446
3	D0442
4	D0440
5	B7784
6	D0447
7	D0448
8	R1779
9	B2401
10	C0100
11	R0158

Part Code	Sugg	Descrizione	Description	Beschreibung	Description	Denominacion
A0128		SEEGER E12 UNI 7435	SEEGER RING E12 UNI 7435	Seeger E12 UNI 7435	BAGUE E12 UNI 7435	SEEGER E12 UNI 7435
A0527		RACCORDO RAPIDO DRIITTO M 1/8"-Ø 4/2	STRAIGHT CONNECTION M1/8"-Ø4/2	SCHNELL GERADER ANSCHLUSS M1/8"-Ø4/2	RACCORD DROIT MÅLE G 1/8" - Ø4X2	UNIÓN RECTA MACHO G 1/8" - Ø4X2
A4070		RACCORDO "L" GIREVOLE M 1/8X6	ROTATING "L" CONNECTION M 1/8X6	L-ANSCHLUSS M 1/8X6	RACCORD EN "L" M 1/8X6	UNIÓN "L" MACHO G 1/8" - TUBO Ø6
B0053		SEEGER E40 UNI 7435	SEEGER E40 UNI 7435	SEEGER E40 UNI 7435	BAGUES E40 UNI 7435	ARO ELÁSTICO ØE 40
B0092		DADO M16 UNI 5589	NUT M16 UNI 5589	MUTTER M16 UNI 5589	ÉCROU M16 UNI 5589	TUERCA M16 UNI 5589
B0240		SEEGER E35 UNI 7435	SEEGER E35 UNI 7435	SEEGER E35 UNI 7435	BAGUES E35 UNI 7435	SEEGER E35 UNI 7435
B0643	*	INTERRUTTORE GENERALE 230/400	MASTER SWITCH 230/400	SCHALTER 230/400	INTERRUPTEUR GÉNÉRAL	INTERRUPTOR GENERAL
B1518		BLOCCO IDRAULICO B15	VALVE BODY B15	HYDRAULIKBLOCK B15	BLOC HYDRAULIQUE B15	BLOQUEO HIDRÁULICO B15
B1595		VALVOLA DI RITEGNO	CHECK VALVE	RUECKSCHLAGVENTIL	CLAPET ANTI-RETOUR	VALVULA DE NO RETROCESO
B1597		OR NBR 70SH 112X3	OR NBR 70SH 112X3	OR NBR 70SH 112X3	OR NBR 70SH 112X3	OR NBR 70SH 112X3
B1604		TUBO SCARICO M12X1 L=200	EXHAUST PIPE	ABLASS-SCHLAUCH	TUBE	TUBO DE DESCARGA
B1833		MICROINTERRUTTORE FF4511 KDM	MICROSWITCH FF4511 KDM	MIKROSCHALTER FF4511 KDM	CONTACT FF4511 KDM	MICROINTERRUPTOR FF4511 KDM
B1904		SCATOLA ELETTRICA CON CAVO	ELECTRIC BOX WITH CABLE	KASTEN DREHSTROM MIT KABLE	COFFRET ÉLECTRIQUE AVEC CABLE	CUADRO ELÉCTRICO CON CABLE
B1986		CENTRALINA IDRAULICA COMPLETA	HYDRAULIC POWER UNIT COMPLETE	HYDRAULIK GERAET KOMPLETT	CENTRALE HYDRAULIQUE COMPLETE	CENTRALITA OLEODINÁMICA COMPLETA
B1987		BLOCCO ELETTROVALVOLA COMPL.	COMPLETE SOLENOID BLOCK	ELEKTROMAGNETVENTIL BLOCK	BLOC SOLENOID COMPLET	BLOQUEO COMPLETO ELECTROVALVULE
B2401		BARRA FILETTATA M8	THREADED ROD M8	GEWINDESTANGEM8	TIGE FILETEE M8	VARILLA ROSCADA
B2410		LAMPADA BIANCA 24V	WITHE LAMP 24V	WEISSE LAMPE 24V	LAMPE BLANC 24V	LÁMPARABLANA 24V
B2681	*	BUZZER 24VAC/DC	BUZZER 24VAC/DC	BUZZER 24VAC/DC	BUZZER 24VAC/DC	BUZZER 24VAC/DC
B2869	*	FUSIBILE 10X38 10A	FUSE 10X38 10A	SCHMELZSICHERUNG 10X38 10A	FUSIBLE 10X38 10A	FUSIBILE
B2871	*	TRASFORMATORE 0-230-400 / 24 75 VA TIPO C.E.	TRANSFORMER 0-380-415 / 24 75 VA TYPE C.E.	TRANSFORMATOR 0-230-400 / 24 75 VA TYP C.E.	TRANSFORMATEUR 0-380-415 / 24 75 VA TYPE C.E.	TRANSFORMADOR 0-230-400 / 24 75 VA TIPO C.E.
B3004		PIASTRA CILINDRO SICURA	SAFETY CYLINDER PLATE	PLATTENZYLINDER SICHERHEIT	PLATE CYLINDRE SECURITE	PLACA CILINDRO SEGURA
B3005		PUNTALE CILINDRO SICURA	TIP CYLINDER	TIPP-ZYLINDER	EMBOUT CYLINDRE	PUNTA CILINDRO
B3006		CARTER PROTEZIONE	PROTECTION CASING	SCHÜTZUNGSGEHÄUSE	CARTER	CARTER PROTECCIÓN
B3007		SUPPORTO MICRO	LIMIT SWITCHES SUPPORT	HALTER	SUPPORT	SOPORTE
B3101	*	ELETTROVALVOLA COMPL.3/2 CONNET.S96	ELECTRO-VALVE	ELEKTROMAGNETVENTIL	BOBINE D'ÉLECTROVANNE PNEUMATIQUE	ELECTROVALVULA AIRE
B3106		BOCCOLA AUTOLUBR.30X34X30	SELF-LUBRIFICATING BUSHING Ø30X34X30	SELBSTSCHMIERENDE BUCHSE D Ø30X34X30	DOUILLE AUTOLUBRIFIANTE Ø30X34X30	CASQUILLO AUTOLUBRIC. DIAM. 30X34X30
B3108		GHIERA AUTOBLOCCANTE	RING NUT	OBERER SCHERENARM INNEN RECHTS	BAGUE AUTOBLOQUANTE	VIOLA AUTOBLOQUEANTE
B3270		RONDELLA 1/4	WASHER 1/4	SCHEIBE	RONDELLE	ARANDELA
B4077		LEDS PER TORCIA	HANDLAMP LEDES	HANDLAMPE LEDES	LEDS TORCHE	LEDS LINTERNA

	SCHEDA TORCIA	HANDLAMP BOARD	HANDLAMPE KARTE	PLATINE TORCHE	FICHA LINTERNA
B4078					
B4081	SPORTELLINO ANT.ARMAD.SAT45/08	FRONT DOOR	FRONTTÜR	TRAPPE AVANT	PUERTA DELANTERA ARMARIO
B4083	SUPPORTO COMPONENTI ELETTR.S45/08	SUPPORT ELECTRICAL COMPONENTS	UNTERSTÜTZUNG ELEKTRISCHEN KOMPONENTEN	SOUTIEN COMPOSANTS ÉLECTRIQUES	APOYO COMPONENTES ELÉCTRICOS
B4086	PULSANTE NERO + 1 CONTATTO N.O.	BLACK PUSH-BUTTON + 1 N.O. CONTACT	DRUCKKNOPF	BOUTON	PULSADOR
B4087	* SELETTORE PEDANE TOR.SAT45/08	AUXILIARY LIFT SELECTOR SWITCH	UMSCHALTER AUFSATZPLATTFORM	SELECTEUR TOURELLES AUXIL.PLATES-FORMES	SELECTOR PLATAFORMAS AUXILIARES PLATAFORMAS
B4278	INTERRUTTORE ROSSO TORCIA	HANDLAMP RED SWITCH	HANDLAMPE SCHALTER	INTERRUPTEUR ROUGE TORCHE	INTERRUPTOR ROJO LINTERNA
B4279	PULSANTE NERO TORCIA	HANDLAMP BLACK PUSH-BUTTON	HANDLAMPE SCHWARTZ DRUCKKNOPF	POUSSOIR NOIR TORCHE	PULSADOR NEGRO LINTERNA
B4451	BLOCCHETTO 2 FOTOCELLULE	PHOTOCELL	FOTZELLE	PHOTOCELLULE	FOTOCÉLULA
B4494	KIT STAFFA+GHIERA PER REG.PRES	SUPPORT BRACKER KIT	HALTERUNGSBÜGELSET	SUPPORT COMPLET AVEC VIS	KIT ESTRIBO SOPORTE
B4499	KIT ELETTROVALVOLA PROVA GIOCHI	KIT ELECTROVALVE PLAY DETECTOR	KIT ELEKTROVENTIL GELENKSPIELTESTER	KIT ÉLECTROVANNE PLAQUE A JEUX	KIT ELECTROVALVULA DECTECTOR DE HOLGURAS
B4697	TIMER RITARDO DISCESA 24VAC/DC	TIMER	TIMER	TEMPORISATEUR	TEMPORIZADOR
B4799XX	ARMADIETTO SAT36R	CABINET	SCHRANK	CAISSON PUPIRE	CAJÓN
B4835	GHIERA GUK M20X1	METAL RING GUK M20X1	NUTMUTTER GUK M20X1	EMBOUIT GUK M20X1	TUERCA ANULAR GUK M20X1
B5194	DISTANZIALE	SPACER	DISTANZSTUECK	ENTRETOISE	DISTANCIADOR
B5289	* FUSIBILE 10X38 1A AM	FUSE 10X38 1A AM	SCHMELZSICHERUNG 10X38 1A AM	FUSIBLE 10X38 1A AM	FUSIBILE 10X38 1A AM
B5293	* FUSIBILE RITARDATO 5X20 4A T	FUSE 5x20 4A T	SCHMELZSICHERUNG 5X20 4A T	FUSIBLE 5X20 4A T	FUSIBILE 5X20 4A T
B5656	* PULSANTE GRIGIO + 1 ELEM. CONT.N.O.	GREY PUSH-BUTTON + 1 N.O. CONTACT	DRUCKKNOPF	POUSSOIR	PULSADOR
B5827	CILINDRETTO PNEUMATICO	PNEUMATIC CYLINDER	PNEUMATIK ZYLINDER	VÉRIN PNEUMATIQUE	CILINDRO NEUMATICO
B6347	SELETTORE 0/1 1XNO BIANCO	SELECTOR SWITCH	UMSCHALTER	SELECTEUR	SELECTOR
B6511	PORTAFUSIBILE 10X38 WIMEX PCH1	FUSE HOUSING 10X38 WIMEX PCH10X38	SCHMELZSICHERUNGHALTER	PORTE-FUSIBLE 10X38 WIMEX PCH 10X38	PORTAFUSIBLES 10X38 WIMEX PCH1
B6525	MORSETTO SPRECHER VUPE4-4	TERMINAL SPRECHER VUPE4-4	KLEMME SPRECHER VUPE4-4	BORNIER SPRECHER VUPE 4-4	TERMINAL SPRECHER VUPE4-4
B6547	PORTAFUSIBILE	FUSE HOUSING	SCHMELZSICHERUNGHALTER	PORTE-FUSIBLE	PORTAFUSIBLES
B6661	* MICROINTERRUTTORE FF4531 KDM	MICROSWITCH FF4531 KDM	MIKROSCHALTER FF4531 KDM	CONTACT FF4531 KDM	MICROINTERRUPTOR FFF4531 KDM
B6671	RIFRANGENTE M80 SAT45 '10	REFRACTING	REFLEKTOR FOTOZELLE	PLAQUETTE REFLECTORISÉE	REFLECTANTE
B7242	BOCCOLA AUTOLUBRIFICANTE Ø30X34X25	SELF-LUBRICATING BUSHING Ø30X34X25	SELBSTSCHMIERENDE BUCHSE Ø30X34X25	DOUILLE AUTOLUBRIFIANTE Ø30X34X25	CASQUILLO AUTOLUBRIC. DIAM. Ø30X34X25
B7258	MICROINTERRUTTORE FF4515 KSM	MICROSWITCH FF4515 KSM	MICROSCHALTER FF4515 KSM	MICROINTERRUPTEUR FF4515 KSM	MICROINTERRUPTOR FF4515 KSM
B7259	MICROINTERRUTTORE FF4531 KSM	MICROSWITCH FF4531 KSM	MICROSCHALTER FF4531 KSM	MICROINTERRUPTEUR FF4531 KSM	MICROINTERRUPTOR FF4531 KSM
B7387	VITE TE M16X100 UNI 5739	SCREW M16X100 UNI 5739	SCHRAUBE M16X100 UNI 5739	VIS M16X100 UNI 5739	TORNILLO M16X100 UNI 5739

B7642	PULSANTE NERO + 2 CONTATTO N.O.	BLACK PUSH-BUTTON + 2 N.O. CONTACT	DRUCKKNOPF	BOUTON	PULSADOR
B7643	RELE COMPL. 24VDC 2XSC.	RELAY	RELAIS	RELAIS	RELÉ
B7784	BOBINA ELETTROVALVOLA 24VDC 18W	SOLENOID VALVE COIL	SPULE ELEKTROVENTIL	BOBINE ELECTROVANNE	BOBINA ELECTROVÁLVULA
B8067	FILTRO ASPIRAZIONE 3/8 BSPP	INTAKE AIR FILTER	ANSAUGFILTER	FILTRE ASPIRATION	FILTRO DE ASPIRACION
B8068	ELETTROVALVOLA TIPO VE6 NC EM	ELECTRO-VALVE	ELEKTROVENTIL	ELECTROVANNE	ELECTROVÁLVULA
B8352XX	BASE	BASE	GRUNDLAGE	CHÂSSIS	BASE
B8354XX	LEVA INTERNA	INNER LEVER	INNERER HEBEL	LEVIER INTÉRIEUR	PALANCA INTERNA
B8355XX	LEVA ESTERNA	EXTERNAL LEVER	EXTERNAL HEBEL	LEVIER EXTERNE	PALANCA DEL EXTERNAL
B8356	PATTINO INFERIORE	LOWER SLIDE PAD	UNTERER GLEITER	PATIN INFÉRIEUR	PATIN INFERIOR
B8357	PATTINO SUPERIORE	UPPER SLIDE PAD	OBENER GLEITER	PATIN SUPERIEUR	PATIN SUPERIOR
B8360	RULLO PIATTO OSCILLANTE	ROLLER	ROLLEN	ROULEAU	RODILLO
B8361	PERNO RULLO PIATTO OSCILLANTE	PIN	STIFT	GOUJON	PERNO
B8362XX	SICUREZZA MECCANICA SUPERIORE	UPPER MECHANICAL SAFETY	OBENER MECHANISCHE SICHERHEIT	SÉCURITÉ MÉCANIQUE SUPERIEUR	SEGURIDAD MECANICA SUPERIOR
B8363XX	SICUREZZA MECCANICA INFERIORE SX	LEFT LOWER MECHANICAL SAFETY	UNTERER MECHANISCHE SICHERHEIT LS	SÉCURITÉ MÉCANIQUE INFÉRIEUR GAUCHE	SEGURIDAD MECANICA INFERIOR IZQUIERDO
B8366	COPERTURA INCAVO	RECESS COVER	DECKEL	COUVERCLE	TAPA
B8367	COPERCHIO TUBI	COVER	DECKEL	COUVERCLE	TAPA
B8368XX	CARTER	CASING	GEHAEUSE	CARTER	CÁRTER
B8369	PIASTRA OSCILLANTE	OSCILLATING PLATE	SCHWINGENDE PLATTE	PLATEAU OSCILLANT	PLACA OSCILANTE
B8370XX	LEVA ESTERNA LIFT TABLE	EXTERNAL LEVER	EXTERNAL HEBEL	LEVIER EXTERNE	PALANCA DEL EXTERNAL
B8371XX	LEVA INTERNA LIFT TABLE	INNER LEVER	INNERER HEBEL	LEVIER INTÉRIEUR	PALANCA INTERNA
B8372	RULLO LIFT TABLE	ROLLER	ROLLEN	ROULEAU	RODILLO
B8373	BOCCOLA INFERIORE LEVA LIFT TABLE	BUSH	BUECHSE	DOUILLE	CASQUILLO
B8374	DISTANZIALE INFERIORE LEVA LIFT TABLE	SPACER	DISTANZSTUECK	ENTRETOISE	DISTANCIADOR
B8375XX	PIATTO SX PROLUNGA LIFT TABLE	LEFT PLATE	PLATTE LS	PLAQUE GAUCHE	PLATO IZQUIERDO
B8376XX	PIATTO DX PROLUNGA LIFT TABLE	RIGHT PLATE	PLATTE RS	PLAQUE DROITE	PLATO DERECHO
B8377XX	SPESSORE PROLUNGA LIFT TABLE	SHIM	DISTANZSTUECK	CALE	CALZO
B8378XX	LAMIERA PROLUNGA	EXTENSION	FAHRSCIENIEN	RALLONGE	DISTANCIADOR
B8380XX	PIANALE LIFT TABLE	LIFT TABLE	RADFREIHEBER	LEVAGE AUXILIAIRE	ELEVADOR AUXILIAR
B8381	PERNO BASE-PEDANA	PIN	STIFT	GOUJON	PERNO
B8382	PERNO INFERIORE CILINDRO	PIN	STIFT	GOUJON	PERNO
B8383	PERNO SUPERIORE CILINDRO	PIN	STIFT	GOUJON	PERNO

B8384	PERNO FULCRO LEVE	PIN	STIFT	GOUJON	PERNO
B8396	PERNO SUPERIORE RULLO LT	PIN	STIFT	GOUJON	PERNO
B8397	PERNO INFERIORE RULLO LT	PIN	STIFT	GOUJON	PERNO
B8398	PERNO FULCRO LEVE LT	PIN	STIFT	GOUJON	PERNO
B8399	PERNO LEVE-LIFT TABLE	PIN	STIFT	GOUJON	PERNO
B8400	PERNO SUPERIORE CILINDRO LT	PIN	STIFT	GOUJON	PERNO
B8401	PERNO INFERIORE CILINDRO LT	PIN	STIFT	GOUJON	PERNO
B8402	VASCA INCAVO	RECESS COVER	DECKEL	COUVERCLE	TAPA
B8404	STAFFA SICURA CILINDRO	SUPPORT	HALTERUNG	SUPPORT	PLACA
B8414	CAMMA LIVELLAMENTO	CAM	KLAMM	CAME	EXCENTRICA
B8415	CAVALLOTTO FERMA TUBI	SUPPORT	HALTERUNG	SUPPORT	PLACA
B8417	CARTER INFERIORE PEDANA	CASING	GEHAEUSE	CARTER	CÁRTER
B8430XX	PEDANA DX MOD. ATLT	RIGHT PLATFORM MOD. ATLT	PLATTFORM RS MOD. ATLT	PLATE-FORME DROITE MOD. ATLT	PLATAFORMA DERECHA MOD. ATLT
B8431XX	SICUREZZA MECCANICA INFERIORE DX	RIGHT LOWER MECHANICAL SAFETY	UNTERER MECHANISCHE SICHERHEIT RS	SÉCURITÉ MÉCANIQUE INFÉRIEUR DROITE	SEGURIDAD MECANICA INFERIOR DERECHO
B8432	CILINDRO PNEUMATICO PIATTI OSCILLANTI	PNEUMATIC CYLINDER	PNEUMATIK ZYLINDER*	VÉRIN PNEUMATIQUE	CILINDRO AIRE
B8433	PIEDINO REGOLAZIONE	FOOT	STÜTZFUSS	PIED	PIE
B8434XX	CILINDRO P1	CYLINDER P1	ZYLINDER P1	CYLINDRE P1	CILINDRO P1
B8435XX	CILINDRO P2	CYLINDER P2	ZYLINDER P2	CYLINDRE P2	CILINDRO P2
B8436XX	CILINDRO T1	CYLINDER T1	ZYLINDER T1	CYLINDRE T1	CILINDRO T1
B8437XX	CILINDRO T2	CYLINDER T2	ZYLINDER T2	CYLINDRE T2	CILINDRO T2
B8507	PROTEZIONE TUBI	PROTECTOR	VORDERE	PROTECTION	PROTECCION
B8508	PROTEZIONE TUBI	PROTECTOR	VORDERE	PROTECTION	PROTECCION
B8513	COPERCHIO	COVER	DECKEL	COUVERCLE	TAPA
B8600	ARRESTO SFILO LT	STOP	ENDSCHALTER	ARRÊTOIR	TOPE
B8601	PIATTO SERRAGGIO PERNO	PLATE	PLATTE	PLAQUE	PLATO
B8739XX	PEDANA SX MOD. N	LEFT PLATFORM MOD. N	PLATTFORM LS MOD. N	PLATE-FORME GOUCHE MOD. N	PLATAFORMA IZQUIERDA MOD. N
B8740XX	PEDANA DX MOD. N	RIGHT PLATFORM MOD. N	PLATTFORM RS MOD. N	PLATE-FORME DROITE MOD. N	PLATAFORMA DERECHA MOD. N
B8741XX	PEDANA SX MOD. AT	LEFT PLATFORM MOD. AT	PLATTFORM LS MOD. AT	PLATE-FORME GOUCHE MOD. AT	PLATAFORMA IZQUIERDA MOD. AT
B8742XX	PEDANA DX MOD. AT	RIGHT PLATFORM MOD. AT	PLATTFORM RS MOD. ATLT	PLATE-FORME DROITE MOD. AT	PLATAFORMA DERECHA MOD. AT
B8743XX	PEDANA SX MOD. LT	LEFT PLATFORM MOD. LT	PLATTFORM LS MOD. LT	PLATE-FORME GOUCHE MOD. LT	PLATAFORMA IZQUIERDA MOD. LT
B8744XX	PEDANA DX MOD. LT	RIGHT PLATFORM MOD. LT	PLATTFORM RS MOD. LT	PLATE-FORME DROITE MOD. LT	PLATAFORMA DERECHA MOD. LT
B8745	SUPPORTO MICRONTERRUTTORE LT	LIMIT SWITCH SUPPORT	UNTERLAGE FÜR ENDSCHALTER	SUPPORT	SOPORTE
B8746	SUPPORTO FOTOCPELLULA	SUPPORT	UNTERLAGE	SUPPORT	SOPORTE
B8835	SPESSORE COPERCHIO PATTINI	SHIM	DISTANZSTUECK	CALE	ESPESOR

	STAFFA AZIONAMENTO MICRO	LIMIT SWITCH ACTUATOR	ENDSCHALTERTIEB	CAME DE FIN DE COURSE	ACCIONADOR FINAL DE CARRERA
B8838					
B9078XX	CENTRALINA COMPL. MOD. LT+PG- - /ATLT+PG	COMPLETE OIL POWER UNIT MOD. LT+PG /ATLT+PG.	KOMPLETTE ÖLDYNAMISCHE EINHEIT MOD. LT+PG /ATLT+PG	CENTRALE MOD. LT+PG / ATLT+PG	CENTRALITA MOD. LT+PG / ATLT+PG
B9310XX	CENTRALINA COLPML. MOD. LT - ATLT	COMPLETE OIL POWER UNIT MOD. LT / ATLT	KOMPLETTE ÖLDYNAMISCHE EINHEIT MOD. LT / ATLT	CENTRALE MOD. LT / ATLT	CENTRALITA MOD. LT / ATLT
C0088	MANOMETRO P Ø40 1/8 10 BAR	P. GAUGE Ø40 1/8 10 BAR	MANOMETER P Ø40 1/8 10 BAR	MANOMÈTRE P Ø40 1/8 10 BARS	MANÓMETRO POST Ø40 1/8 10 BAR
C0100	RONDELLA PIANA 8x16 UNI 6592	WASHER 8x16 UNI 6592	SCHEIBE 8x16 UNI 6592	RONDELLE 8x16 UNI 6592	ARANDELA 8x16 UNI 6592
C0185	VITE TCCE M8X30 UNI 5931	SCREW M8X30 UNI 5931	SCHRAUBE M8X30 UNI 5931	VIS M8X30 UNI 5931	TORNILLO M8X30 UNI 5931
C0875	RACCORDO RAPIDO DIRITTO M 1/4X6	RAPID CONNECTION M1/4XPIPE 6	SCHNELLANSCHLUß 1/4 X SCHLAUCH 6	RACCORD RAPIDE M1/4 X TUYAU 6	CONEXION
C1971	RIDUTTORE FILT.TAZ.MET.SC.M.	FILTER REGULATOR	REGLER FILTER	RÉDUCTEUR FILTRE	REDUCTOR FILTRO
D0057	TORCIA COMPLETA	TORCH FOR PLAY DETECTOR	Komplette Handlampe	TORCHE	SOPLETE
D0236	TUBO SFIATO/CARICO OLIO	HOSE	SCHLAUCH	TUYAU	TUBO
D0237	GIUNTO	CONNECTING PUMP	GELENK PUMPE	ACCOUPLLEMENT DE POMPE	ACOPLAMIENTO BOMBA
D0382	* KIT GUARNIZIONI CILINDRO P1	CYLINDER GASKET KIT P1	ZYLINDERDICHTUNGSET P1	JEU DE JOINTS P1	JUEGO DE JUNTAS P1
D0383	* KIT GUARNIZIONI CILINDRO P2	CYLINDER GASKET KIT P2	ZYLINDERDICHTUNGSET P2	JEU DE JOINTS P2	JUEGO DE JUNTAS P2
D0384	* KIT GUARNIZIONI CILINDRO T1	CYLINDER GASKET KIT T1	ZYLINDERDICHTUNGSET T1	JEU DE JOINTS T1	JUEGO DE JUNTAS T1
D0385	* KIT GUARNIZIONI CILINDRO T2	CYLINDER GASKET KIT T2	ZYLINDERDICHTUNGSET T2	JEU DE JOINTS T2	JUEGO DE JUNTAS T2
D0419	INTERRUTTORE DI POSIZIONE FR CONT. 6	SWITCH	SCHALTER	INTERRUPTEUR	INTERRUPTOR
D0421	CAVO INTERFACCIA P1 12MT	ELECTRIC CABLE P1 12MT	ELEKTRISCH KABEL P1 12MT	CÂBLE ÉLECTRIQUE P1 12MT	CABLE ELETRICO P1 12MT
D0422	CAVO INTERFACCIA P2 14MT	ELECTRIC CABLE P2 14MT	ELEKTRISCH KABEL P2 14MT	CÂBLE ÉLECTRIQUE P2 14MT	CABLE ELETRICO P2 14MT
D0425	PLANCIA COMANDO	CONTROL PANEL	INSTRUMENTENTAFEL	PANNEAU FRONTAL	TABLERO DE MANDOS
D0429	POMPA MANUALE	MANUAL PUMP	PUMPE	POMPE MANUELLE	BOMBA
D0430	RACCORDO CIL. M3/8-Ø6/4	CONNECTION M3/8-Ø6/4	ANSCHLUSSKEGEL M3/8-Ø6/4	RACCORD M3/8-Ø6/4	UNIÓN M3/8-Ø6/4
D0431	TUBO RYLSAN 6/4 NERO L=240MM	RILSAN HOSE D.8X6 L=240MM	SCHLAUCH D.8X6 L=240MM	TUYAU RILSAN D.8X6 L=240MM	TUBO RILSAN NEGRO Ø8X6 L=240MM
D0432	POMPA GR1 6,1CC	PUMP GR1 6,1CC	PUMPENSET GR1 6,1CC	POMPE GR1 6,1CC	BOMBA GR1 6,1CC
D0433	TUBO ASPIRAZIONE 3/8 PVC L=125	SUCTION PIPE	ANSAUGROHR	TUBE ASPIRATION	TUBO ASPIRACION
D0434	SERBATOIO PVC.15 LT	TANK	TANK	RESERVOIR	DEPOSITO
D0435	RONDELLA BONDED 1/2	WASHER	UNTERLEGSCHEIBE	RONDELLE	ARANDELA BONDED 1/8
D0436	TAPPO DIN 908 1//2 BSPP	PLUG	DECKEL	BOUCHON	TAPÓN
D0437	TUBO SCARICO FE M12X1 L=80	EXHAUST PIPE FE M12X1 L=80	ABLASS-SCHLAUCH FE M12X1 L=80	TUBE FE M12X1 L=80	TUBO DE DESCARGA FE M12X1 L=80
D0440	ELETTROVALVOLA VE2-NC-DT-EM D12,7	ELECTRO-VALVE	ELEKTROVENTIL	ELECTROVANNE	ELECTROVÁLVULA
D0441	BLOCCO IDRAULICO COMANDO DISCESA LT	HYDRAULIC ASSEMBLY LT	HYDRAULIKBLOCK LT	BLOC HYDRAULIQUE LT	BLOQUEO HIDRÁULICO LT
D0442	VALVOLA DI MAX VMC1 - 250BAR	MAX. PRESSURE VALVE VMC1 - 250BAR	UEBERDRUCKVENTIL VMC1 - 250BAR	CLAPET DE PRESSION MAX.VMC1 - 250BAR	VALVULA DE MAXIMA PRESSION VMC1 - 250BAR

D0443	OR NBR 70 14X1,78	OR NBR 70 14X1,78	OR NBR 70 14X1,78	OR NBR 70 14X1,78	OR NBR 70 14X1,78	OR NBR 70 14X1,78
D0444	ELETTROVALVOLA CETOP3 ADC3E 24VCC	ELECTRO-VALVE	ELEKTROVENTIL	ELECTROVANNE	ELECTROVANNE	ELECTROVALVULA
D0445	BLOCCO IDRAULICO PROVAGIOCHI	HYDRAULIC ASSEMBLY PG	HYDRAULIKBLOCK PG	BLOC HYDRAULIQUE PG	BLOC HYDRAULIQUE PG	BLOQUEO HIDRÁULICO PG
D0446	BLOCCO IDRAULICO MOD. V40	HYDRAULIC ASSEMBLY MOD. V40	HYDRAULIKBLOCK MOD. V40	BLOC HYDRAULIQUE MOD. V40	BLOC HYDRAULIQUE MOD. V40	BLOQUEO HIDRÁULICO MOD. V40
D0447	VALVOLA V4DS-2, P A-B T3/4 16U	VALVE V4DS-2, P A-B T3/4 16U	VENTIL V4DS-2, P A-B T3/4 16U	VANNE V4DS-2, P A-B T3/4 16U	VANNE V4DS-2, P A-B T3/4 16U	VALVULA V4DS-2, P A-B T3/4 16U
D0448	BOBINA SOVR. 24VDC-22W C36D	SOLENOID VALVE COIL	SPULE ELEKTROVENTIL	BOBINE ELECTROVANNE	BOBINE ELECTROVANNE	BOBINA ELECTROVALVULA
D0577 *	SCHEDA ELETTRONICA EK48-WT	ELECTRONIC BOARD EK48-WT	ELEKTRONISCHE KARTE EK48-WT	PLATINE ÉLECTROMÉCANIQUE EK48-WT	PLATINE ÉLECTROMÉCANIQUE EK48-WT	PLACA ELECTRONICA EK48-WT
R0158	DADO MEDIO M 8 6S UNI 5588 ZB	NUT M8	MUTTER M8	ECROU M8	ECROU M8	TUERCA M8 UNI 5588
R1378	PULSANTE PARCHEGGIO	PUSH BUTTON	DRUCKKNOPF	BOUTON	BOUTON	PULSADOR
R1777	VALVOLA DI MASSIMA VML1 360 BAR	MAX. PRESSURE VALVE VML1 360 BAR	UEBERDRUCKVENTIL VML1 360 BAR	CLAPET DE PRESSION MAX. VML1 360 BAR	CLAPET DE PRESSION MAX. VML1 360 BAR	VALVULA DE MAXIMA PRESSION VML1 360 BAR
R1779	CONNETTORE DIN 43650 2P+T	CONNECTOR	ANSCHLUSS	CONNECTEUR	CONNECTEUR	CONNECTOR
R1787	DADO SPECIALE TRIANGOLARE	NUT	MUTTER	ÉCROU	ÉCROU	TUERCA
R1788	FASCIETTA H9 D110-1	HOSE CLAMP	SCHELLE	COLLIER	COLLIER	ABRAZADERA
S3524	BOCCOLA AUTOLUBRIFICANTE Ø25X28X15	SELF-LUBRICATING BUSHING Ø25X28X15	SELBSTSCHMIERENDE BUCHSE Ø25X28X15	DOUILLE AUTOLUBRIFIANTE Ø25X28X15	DOUILLE AUTOLUBRIFIANTE Ø25X28X15	CASQUILLO AUTOLUBRIC. DIAM. Ø25X28X15
S3525	BOCCOLA AUTOLUBRIFICANTE Ø25X28X30	SELF-LUBRICATING BUSHING Ø25X28X30	SELBSTSCHMIERENDE BUCHSE Ø25X28X30	DOUILLE AUTOLUBRIFIANTE Ø25X28X30	DOUILLE AUTOLUBRIFIANTE Ø25X28X30	CASQUILLO AUTOLUBRIC. DIAM. Ø25X28X30
S6000 *	MOTORE TRIFASE 230-400V/50HZ 3 KW	MOTOR THREE-PHASE 230-400V/50HZ 3 KW	MOTOR DREHSTROM 230-400V/50HZ 3KW	MOTEUR TRIPHASÉ 230-400V/50HZ 3KW	MOTEUR TRIPHASÉ 230-400V/50HZ 3KW	MOTOR TRIFASICO 230-400V/50HZ 3 KW
V926 *	TAMPONE GOMMA H=80 120X160	RUBBER PADS	GUMMISTOPFEN	TAMPON EN CAOUTCHOUC	TAMPON EN CAOUTCHOUC	TAMPÓN EN GOMA
Z_RICAMBI	* = RICAMBI CONSIGLIATI	* = RECOMMENDED SPARE PARTS	* = EMPFOHLENE E-TEILE	* = PIECES DE RECHANGE CONSEILLEES	* = PIECES DE RECHANGE CONSEILLEES	* = REPUESTOS ACONSEJAJOS