

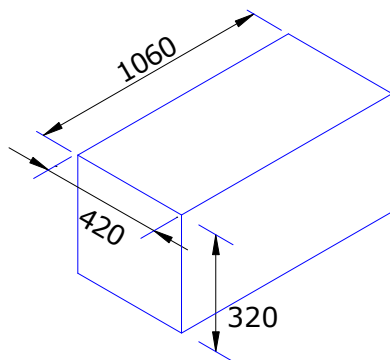
Accessories / Zubehör / Accessoires:

| | | |
|--|--|--|
| | | |
|--|--|--|

Technical specifications / Technische Spezifikationen / Technische specificaties:

| | | | BJ-HPJ20 | BJ-MPJ20 | BJ-HPJ28 | BJ-MPJ28 |
|----------------|---------------|---------------|---------------------|------------------|---------------------|------------------|
| Capacity | Tragfähigkeit | Hefvermogen | 2.000 kg | 2.000 kg | 2.800 kg | 2.800 kg |
| Lifting height | Hubhöhe | Hefhoogte | 205 mm | 205 mm | 205 mm | 205 mm |
| Lifting time | Hebezeit | Heftijd | Variable / Variabel | 12 sec | Variable / Variabel | 19 sec |
| Descent time | Absenkzeit | Daaltijd | - | 12 sec | - | 19 sec |
| Noise level | Lärmpegel | Geluidsniveau | - | - | - | - |
| Working temp. | Arbeitstemp. | Werktemp. | - | - | - | - |
| Working envir. | Arbeitsumgeb. | Werkomgeving | - | - | - | - |
| Pressure | Druck | Druk | - | 8,5 bar | - | 8,5 bar |
| Color | Farbe | Kleur | Ral9011 - 1023 | Ral9011 - 1023 | Ral9011 - 1023 | Ral9011 - 1023 |
| CE number | CE Nummer | CE nummer | Self certificate | Self certificate | Self certificate | Self certificate |

Packing/Verpackung/Verpakking:



**BJ-HPJ20
BJ-MPJ20:**



87 Kg

**BJ-HPJ28
BJ-MPJ28:**



113 Kg